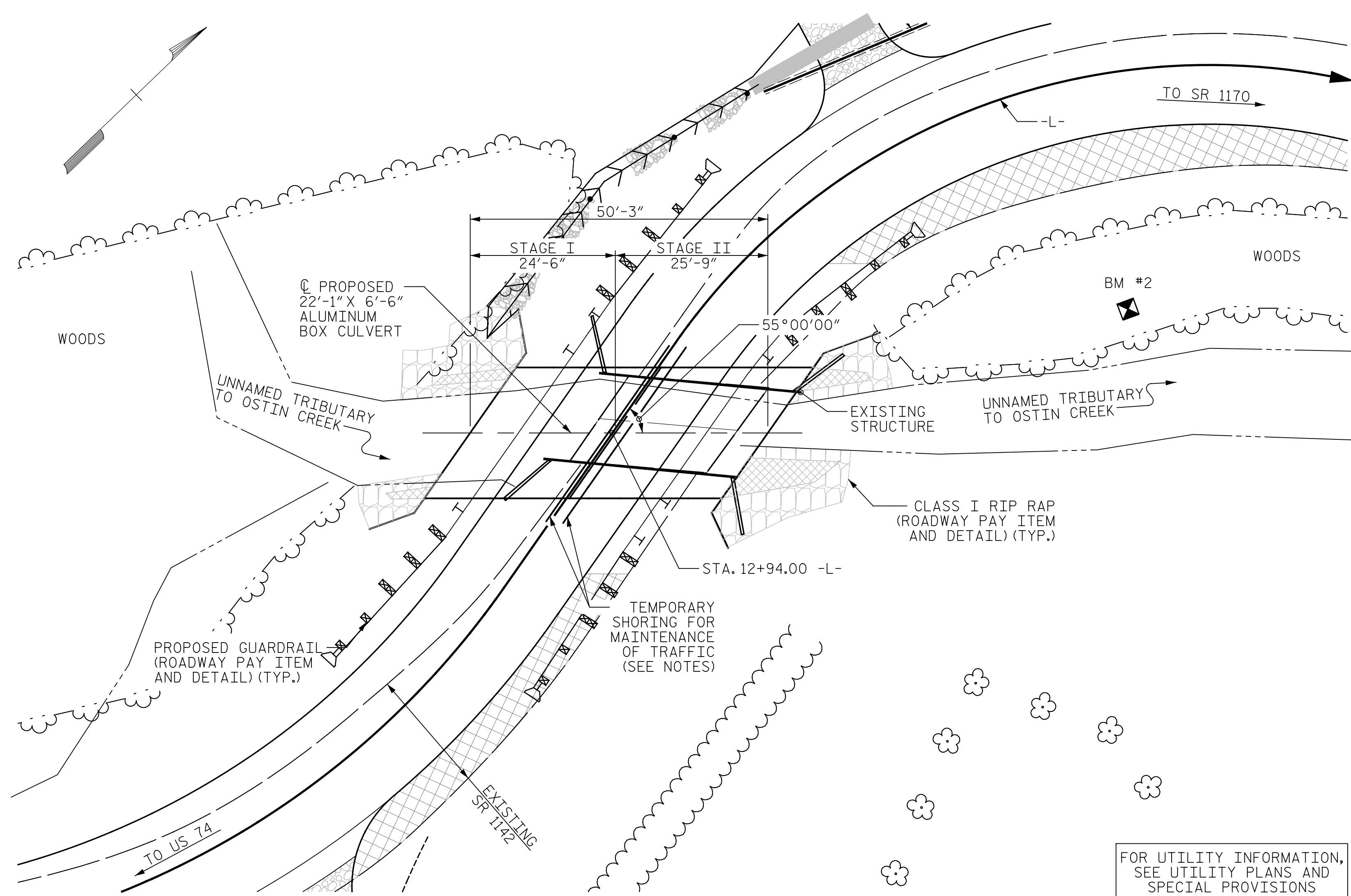


**This electronic collection of documents is provided
for the convenience of the user
and is Not a Certified Document –**

**The documents contained herein were originally issued
and sealed by the individuals whose names and license
numbers appear on each page, on the dates appearing
with their signature on that page.**

**This file or an individual page
shall not be considered a certified document.**

BM #2 : NAVD 88, NAIL IN BASE OF 18" FORKED OAK, 39.87' RIGHT OF STA. 13+96.54 -L-, EL. 1217.55'



LOCATION SKETCH

NOTES

- ASSUMED LIVE LOAD ----- HL-93 OR ALTERNATE LOADING.
- THIS CULVERT IS LOCATED IN SEISMIC ZONE 1.
- FOR OTHER DESIGN DATA AND GENERAL NOTES, SEE SHEET SN.
- CULVERT IS TO BE DESIGNED FOR A MINIMUM FILL DEPTH OF 1'-5" AND A MAXIMUM OF 3'-2" ABOVE THE CROWN OF THE CULVERT.
- FOR SUBMITTAL OF WORKING DRAWINGS, SEE SPECIAL PROVISIONS.
- FOR FALSEWORK AND FORMWORK, SEE SPECIAL PROVISIONS.
- FOR CRANE SAFETY, SEE SPECIAL PROVISIONS.
- FOR GROUT FOR STRUCTURES, SEE SPECIAL PROVISIONS.
- FOR LIMITS OF TEMPORARY SHORING FOR MAINTENANCE OF TRAFFIC, SEE TRAFFIC CONTROL PLANS. FOR PAY ITEM FOR TEMPORARY SHORING FOR MAINTENANCE OF TRAFFIC, SEE ROADWAY PLANS.
- THE EXISTING 1 SPAN STRUCTURE (1 @ 18'-6') WITH A CLEAR ROADWAY WIDTH OF 20.3' ON A TIMBER DECK WITH 19 LINES OF 6X12 TIMBER JOISTS ON A SUBSTRUCTURE CONSISTING OF ABUTMENTS CONSISTING OF TIMBER CAPS AND POSTS AT THE SITE OF THE PROPOSED STRUCTURE SHALL BE REMOVED. THE EXISTING BRIDGE IS PRESENTLY POSTED BELOW THE LEGAL LOAD LIMIT. SHOULD THE STRUCTURAL INTEGRITY OF THE BRIDGE FURTHER DETERIORATE, THIS LOAD LIMITATION MAY BE REDUCED AS FOUND NECESSARY DURING THE LIFE OF THE PROJECT.
- THE SUBSTRUCTURE OF THE EXISTING BRIDGE INDICATED ON THE PLANS IS FROM THE BEST INFORMATION AVAILABLE. THIS INFORMATION IS SHOWN FOR THE CONVENIENCE OF THE CONTRACTOR. THE CONTRACTOR SHALL HAVE NO CLAIM WHATSOEVER AGAINST THE DEPARTMENT OF TRANSPORTATION FOR ANY DELAYS OR ADDITIONAL COST INCURRED BASED ON DIFFERENCES BETWEEN THE EXISTING BRIDGE SUBSTRUCTURE SHOWN ON THE PLANS AND THE ACTUAL CONDITIONS AT THE PROJECT SITE.
- REMOVAL OF THE EXISTING BRIDGE SHALL BE PERFORMED IN A MANNER THAT PREVENTS DEBRIS FROM FALLING INTO THE WATER. THE CONTRACTOR SHALL SUBMIT DEMOLITION PLANS FOR REVIEW AND REMOVE THE BRIDGE IN ACCORDANCE WITH ARTICLE 402-2 OF THE STANDARD SPECIFICATIONS.
- SEE SECTION 414 OF THE STANDARD SPECIFICATIONS FOR CULVERT EXCAVATION AND BACKFILLING.
- EXCAVATE AT LEAST 3 FEET BELOW THE CULVERT AND FOOTINGS, AND REPLACE THE EXCAVATED MATERIALS WITH FOUNDATION CONDITIONING MATERIAL IN ACCORDANCE WITH ARTICLE 414-4 OF THE STANDARD SPECIFICATIONS.
- FOR ALUMINUM BOX CULVERT, SEE SPECIAL PROVISIONS.
- THE RESIDENT ENGINEER SHALL CHECK THE LENGTH OF CULVERT BEFORE STAKING IT OUT TO MAKE CERTAIN THAT IT WILL PROPERLY TAKE CARE OF THE FILL.
- ALL MATERIALS SHALL MEET THE REQUIREMENTS OF THE NCDOT STANDARD SPECIFICATIONS FOR ROADS AND STRUCTURES DATED JANUARY 2018.
- THE DETAILS SHOWN ARE FOR GENERAL LAYOUT ONLY. THE SUPPLIER SHALL PROVIDE DESIGNS AND DETAILS FOR REVIEW AND APPROVAL THAT MEET THE REQUIREMENTS OF AASHTO LRFD BRIDGE DESIGN SPECIFICATIONS, SECTION 12, AND ARE SEALED BY A NORTH CAROLINA REGISTERED PROFESSIONAL ENGINEER.
- UNLESS OTHERWISE INDICATED, THE SUPPLIER SHALL DESIGN, DETAIL, AND FURNISH ALL STRUCTURAL ELEMENTS AND HARDWARE.
- GUARDRAIL POST LOCATIONS SHALL BE DETERMINED IN THE FIELD BY THE ENGINEER TO ENSURE ADEQUATE COVER FOR INSTALLATION.
- FOR CULVERT DIVERSION DETAILS AND PAY ITEM, SEE EROSION CONTROL PLANS.
- FOR ASBESTOS ASSESSMENT FOR BRIDGE DEMOLITION AND RENOVATION ACTIVITIES, SEE SPECIAL PROVISION.
- FOR TRAFFIC PHASING, SEE TRAFFIC CONTROL PLANS.

HYDRAULIC DATA

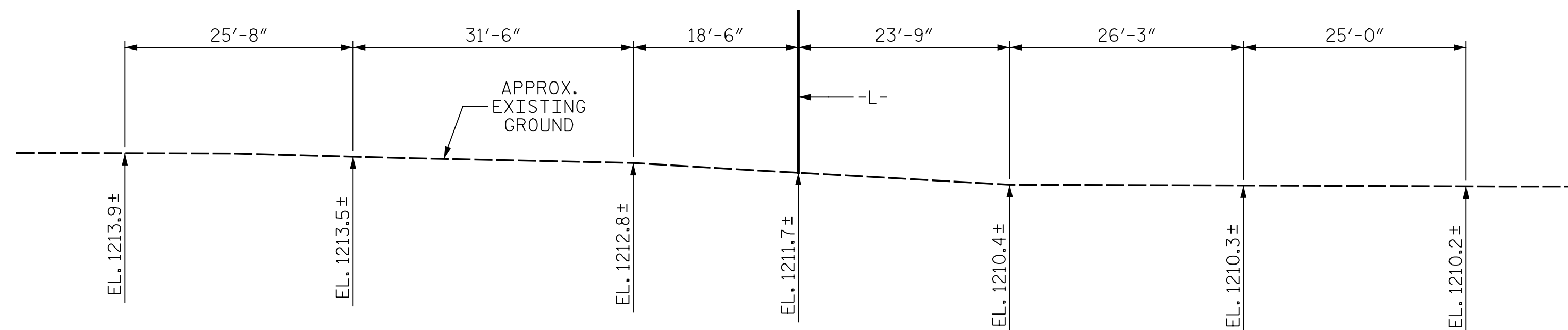
DESIGN DISCHARGE = 600 C.F.S.
 FREQUENCY OF DESIGN FLOOD = 25 YRS.
 DESIGN HIGH WATER ELEVATION = 1218.5
 DRAINAGE AREA = 1.7 SQ. MI.
 BASE DISCHARGE (Q100) = 850 C.F.S.
 BASE HIGH WATER ELEVATION = 1220.68

OVERTOPPING FLOOD DATA

OVERTOPPING DISCHARGE = 850 C.F.S.
 FREQUENCY OF OVERTOPPING FLOOD = 100 YRS.
 OVERTOPPING FLOOD ELEVATION = 1220.7

GRADE DATA

GRADE POINT ELEV. @ STA. 12+94.00 = 1220.63
 BED ELEV. @ STA. 12+94.00 = 1210.8
 ROADWAY FILL SLOPES = 2:1

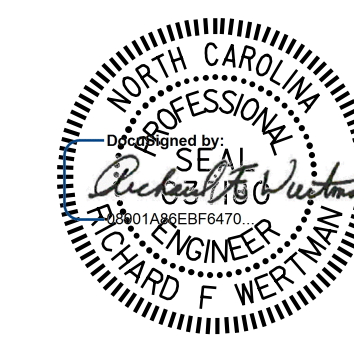


PROFILE ALONG CULVERT

TOTAL STRUCTURE QUANTITIES	
ALUMINUM BOX CULVERT @ STA. 12+94.00	---- LUMP SUM
REMOVAL OF EXISTING STRUCTURE	----- LUMP SUM
FOUNDATION CONDITIONING MATERIAL	----- 300 TONS
* CULVERT EXCAVATION	----- LUMP SUM
ASBESTOS ASSESSMENT	----- LUMP SUM
* INCLUDES CLASS II SELECT MATERIAL	

PROJECT NO. 17BP.14.R.116
 POLK COUNTY
 STATION: 12+94.00 -L-

SHEET 1 OF 5 REPLACES BR. #125



1/29/2019

STATE OF NORTH CAROLINA DEPARTMENT OF TRANSPORTATION RALEIGH					
22'-1" X 6'-6" ALUMINUM BOX CULVERT 55° SKEW					
REVISIONS					SHEET NO.
NO.	BY:	DATE:	NO.	BY:	DATE:
1			3		
2			4		
					C-1
					TOTAL SHEETS 5

DRAWN BY : T.J. KIRSCHBAUM DATE : 04/03/15
 CHECKED BY : A.J. FORFA DATE : 04/10/15
 DESIGN ENGINEER OF RECORD : R.F. WERTMAN DATE : 05/18/15

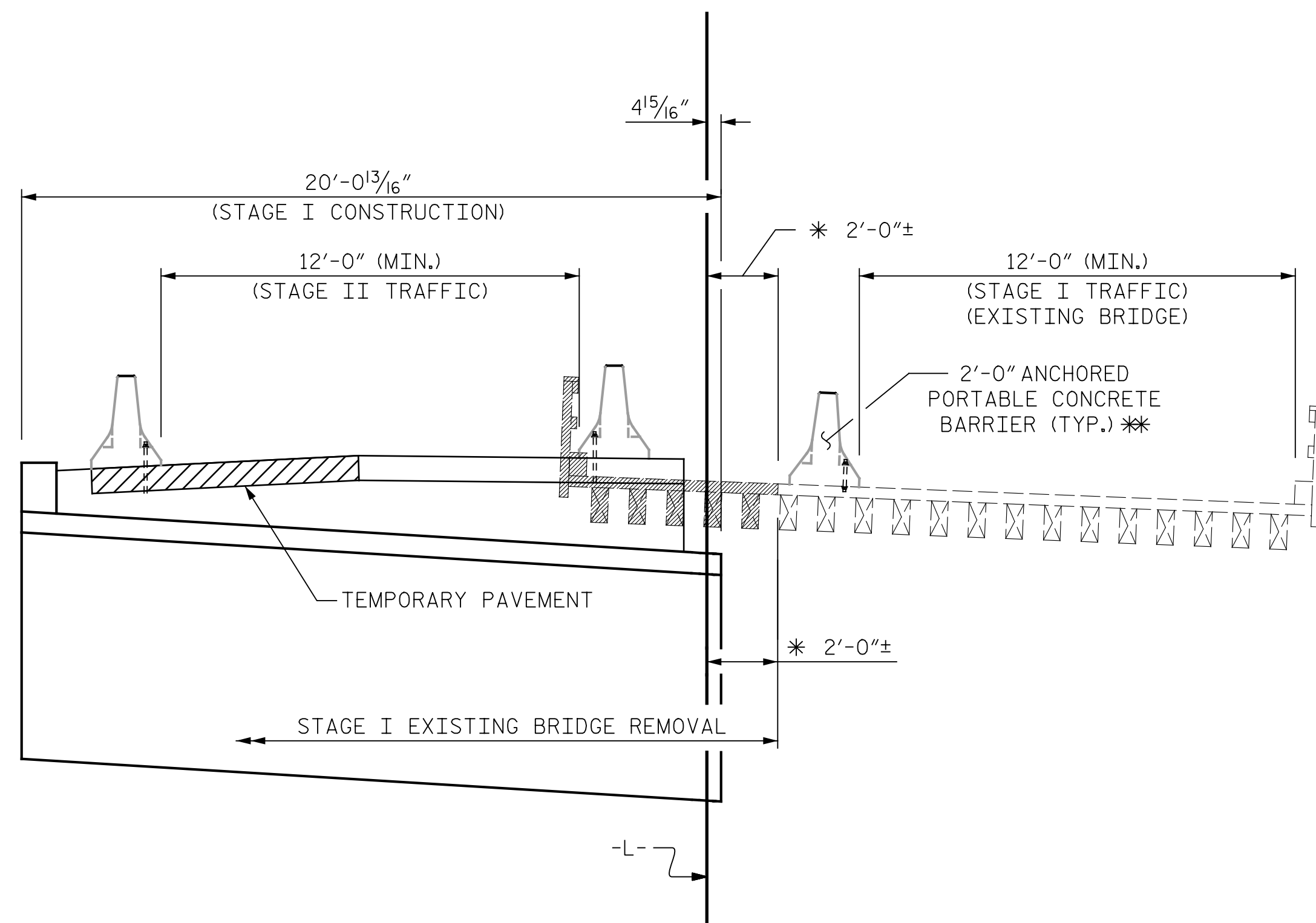
PLANS PREPARED BY:
Gannett Fleming
 Excellence Delivered As Promised
 2610 Wycliff Road
 Suite 102
 Raleigh, NC 27607-3073
 (919) 420-7660
 NC Lic. No. F-0270

DOCUMENT NOT CONSIDERED
 FINAL UNLESS ALL
 SIGNATURES COMPLETED

CUL. #125

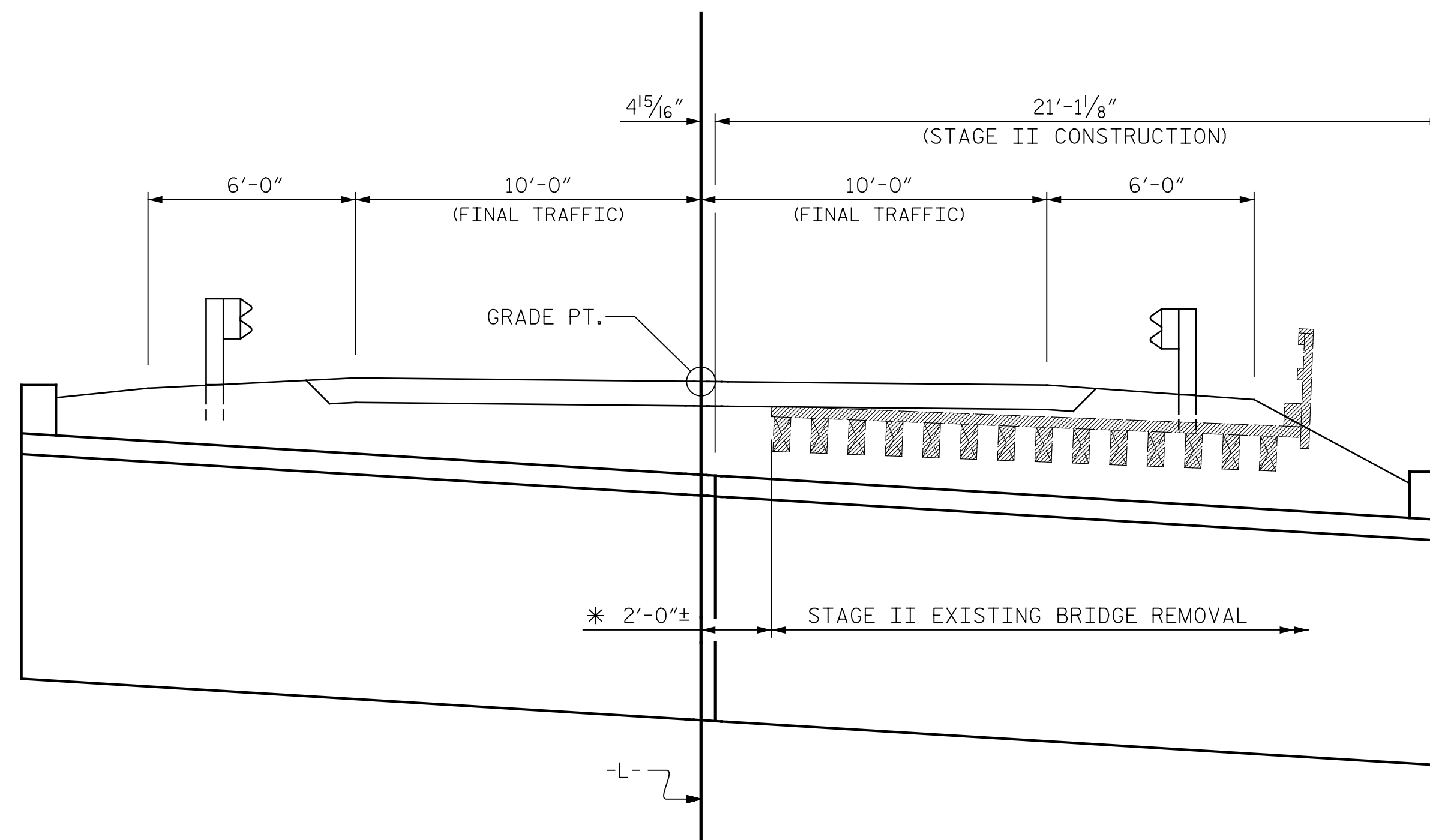
NOTES

- * THE EXISTING BRIDGE INDICATED ON THE PLANS IS FROM THE BEST INFORMATION AVAILABLE. SINCE THIS INFORMATION IS SHOWN FOR THE CONVENIENCE OF THE CONTRACTOR, THE CONTRACTOR SHALL HAVE NO CLAIM WHATSOEVER AGAINST THE DEPARTMENT OF TRANSPORTATION FOR ANY DELAYS OR ADDITIONAL COST INCURRED BASED ON DIFFERENCES BETWEEN THE EXISTING BRIDGE SHOWN ON THE PLANS AND THE ACTUAL CONDITIONS AT THE PROJECT SITE.
- ** SEE THE TRAFFIC CONTROL PLANS FOR LOCATION AND PAY LIMITS OF ANCHORED PORTABLE CONCRETE BARRIER AND ANCHOR DETAILS.



STAGE I CONSTRUCTION

(NORMAL TO -L-)

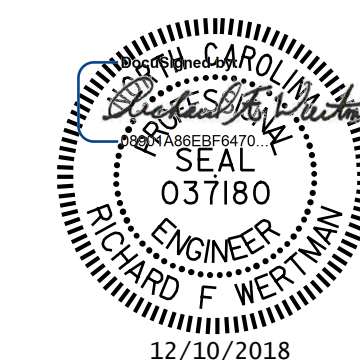


STAGE II CONSTRUCTION

(NORMAL TO -L-)

PROJECT NO. 17BP.14.R.116
POLK COUNTY
 STATION: 12+94.00 -L-

SHEET 2 OF 5



STATE OF NORTH CAROLINA
 DEPARTMENT OF TRANSPORTATION
 RALEIGH

CONSTRUCTION SEQUENCE

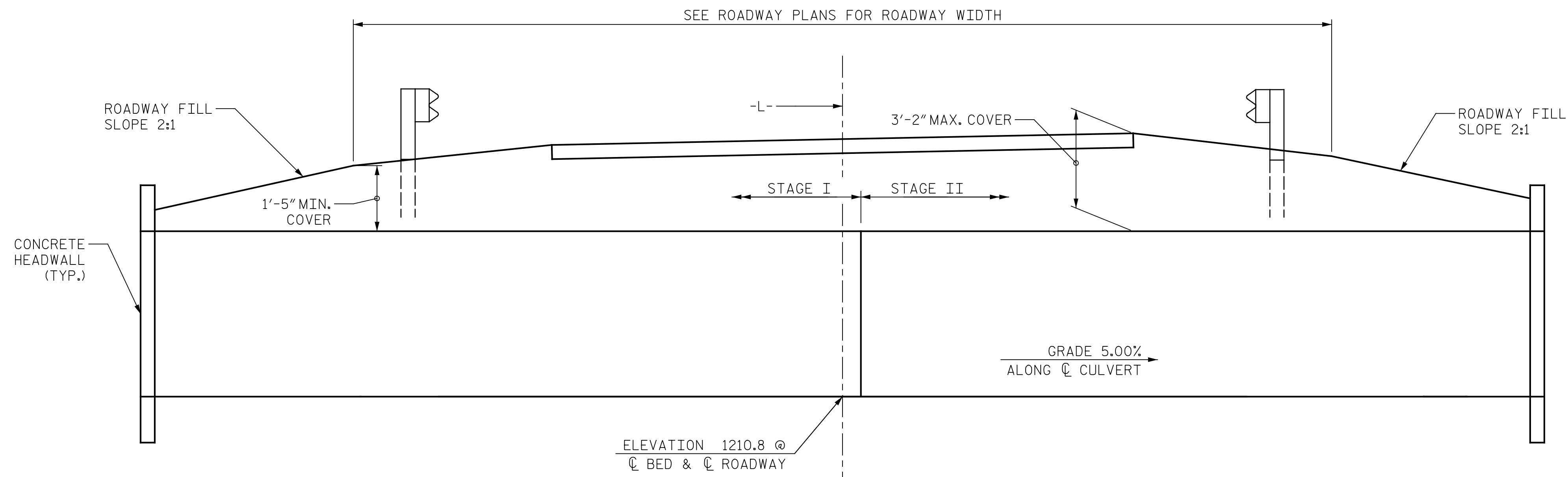
DRAWN BY : T.J. KIRSCHBAUM DATE : 05/13/15
 CHECKED BY : R.F. WERTMAN DATE : 05/19/15
 DESIGN ENGINEER OF RECORD : R.F. WERTMAN DATE : 05/19/15

PLANS PREPARED BY:
Gannett Fleming
 Excellence Delivered *As Promised*
 2610 Wycliff Road
 Suite 102
 Raleigh, NC 27607-3073
 (919) 420-7660
 NC Lic. No. F-0270

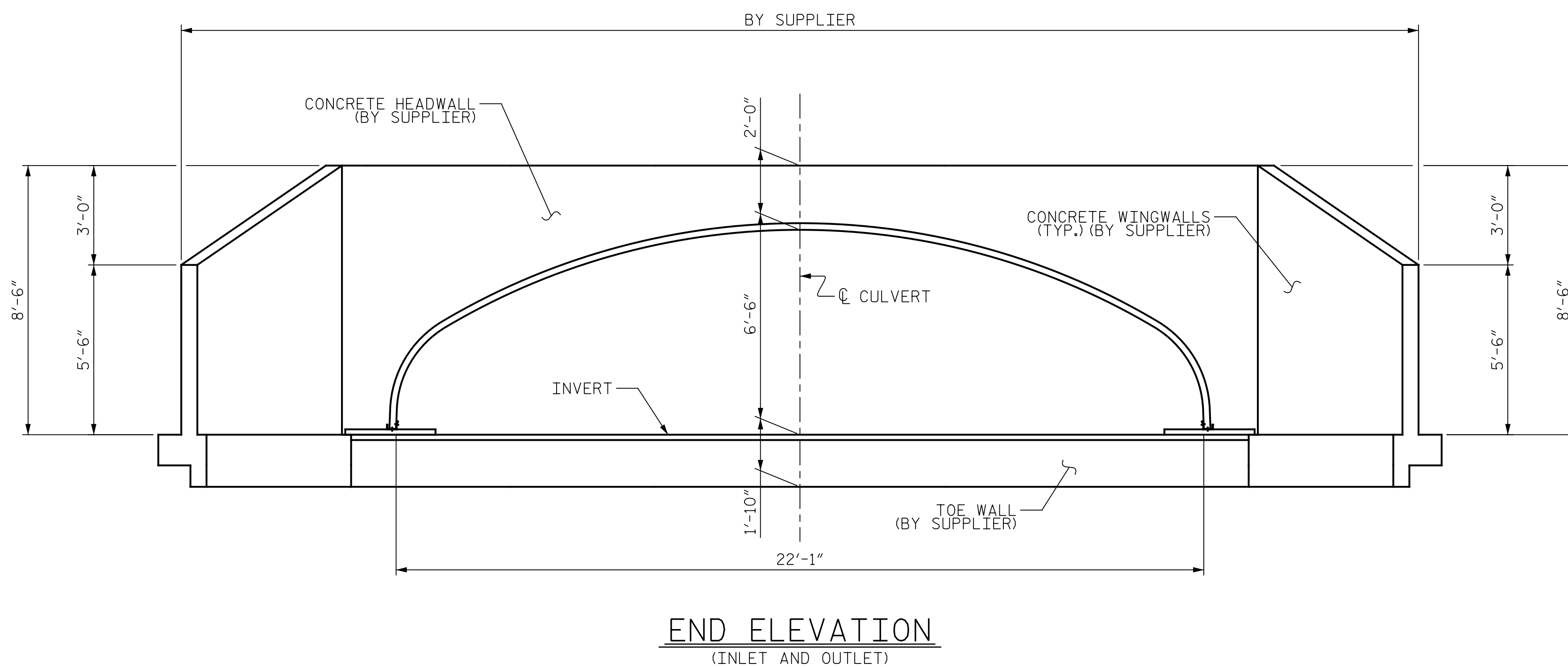
DOCUMENT NOT CONSIDERED
 FINAL UNLESS ALL
 SIGNATURES COMPLETED

REVISIONS						SHEET NO.
NO.	BY:	DATE:	NO.	BY:	DATE:	C-2
1			3			TOTAL SHEETS
2			4			5

CUL. #125

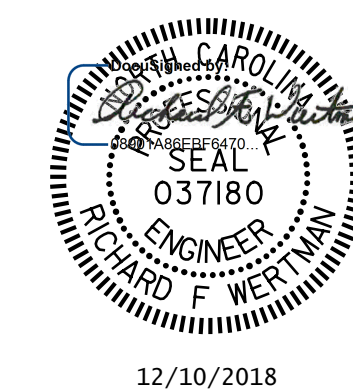


CULVERT SECTION NORMAL TO ROADWAY



PROJECT NO. 17BP.14.R.116
POLK COUNTY
 STATION: 12+94.00 -L-

SHEET 3 OF 5



12/10/2018

STATE OF NORTH CAROLINA
 DEPARTMENT OF TRANSPORTATION
 RALEIGH

22'-1" X 6'-6"
 ALUMINUM
 BOX CULVERT
 55° SKEW

DRAWN BY : T.J. KIRSCHBAUM DATE : 04/03/15
 CHECKED BY : A.J. FORFA DATE : 04/10/15
 DESIGN ENGINEER OF RECORD : R.F. WERTMAN DATE : 05/18/15

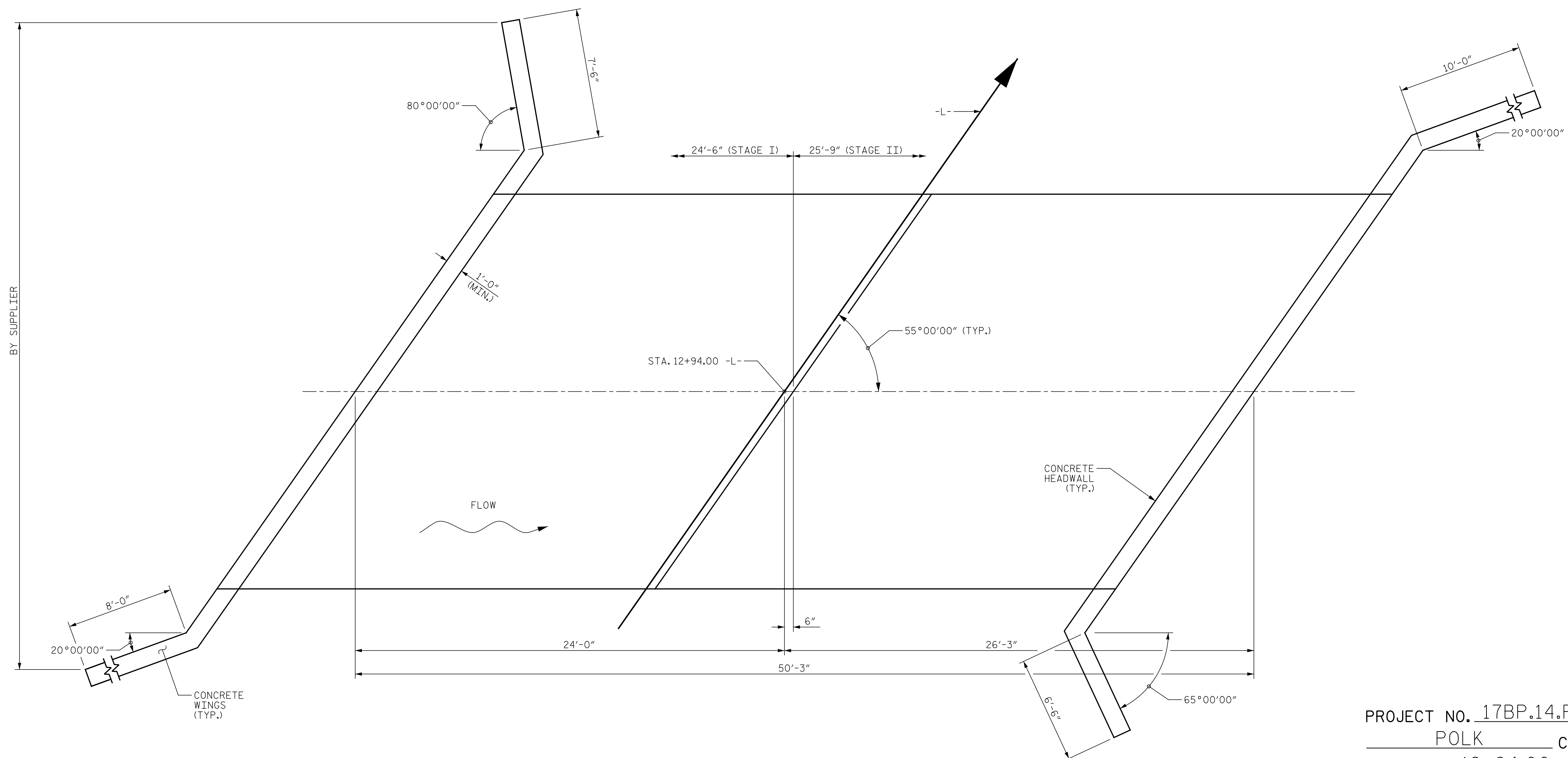
PLANS PREPARED BY:

 Excellence Delivered *As Promised*
 2610 Wycliff Road
 Suite 102
 Raleigh, NC 27607-3073
 (919) 420-7660
 NC Lic. No. F-0270

DOCUMENT NOT CONSIDERED
 FINAL UNLESS ALL
 SIGNATURES COMPLETED

REVISIONS						SHEET NO.
NO.	BY:	DATE:	NO.	BY:	DATE:	C-3
1			3			TOTAL SHEETS
2			4			5

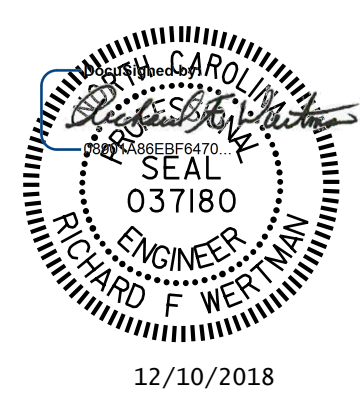
CUL. #125



PLAN OF CULVERT

PROJECT NO. 17BP.14.R.116
 POLK COUNTY
 STATION: 12+94.00 -L-

SHEET 4 OF 5



STATE OF NORTH CAROLINA
 DEPARTMENT OF TRANSPORTATION
 RALEIGH
 22'-1" X 6'-6"
 ALUMINUM
 BOX CULVERT
 55° SKEW

DRAWN BY : T.J. KIRSCHBAUM DATE : 04/03/15
 CHECKED BY : A.J. FORFA DATE : 04/10/15
 DESIGN ENGINEER OF RECORD : R.F. WERTMAN DATE : 05/18/15

PLANS PREPARED BY:
Gannett Fleming
 Excellence Delivered As Promised
 2610 Wycliff Road
 Suite 102
 Raleigh, NC 27607-3073
 (919) 420-7660
 NC Lic. No. F-0270

DOCUMENT NOT CONSIDERED
 FINAL UNLESS ALL
 SIGNATURES COMPLETED

REVISIONS						SHEET NO.
NO.	BY:	DATE:	NO.	BY:	DATE:	C-4
1			3			TOTAL SHEETS
2			4			5

CUL. #125

NOTES

NATIVE MATERIAL BETWEEN BAFFLE/SILLS IN THE CULVERT SHALL PROVIDE A CONTINUOUS LOW FLOW CHANNEL. NATIVE MATERIAL CONSISTS OF MATERIAL THAT IS EXCAVATED FROM THE STREAM BED AT THE PROJECT SITE DURING CONSTRUCTION. NATIVE MATERIAL IS SUBJECT TO APPROVAL BY THE ENGINEER AND MAY BE SUBJECT TO PERMIT CONDITIONS.

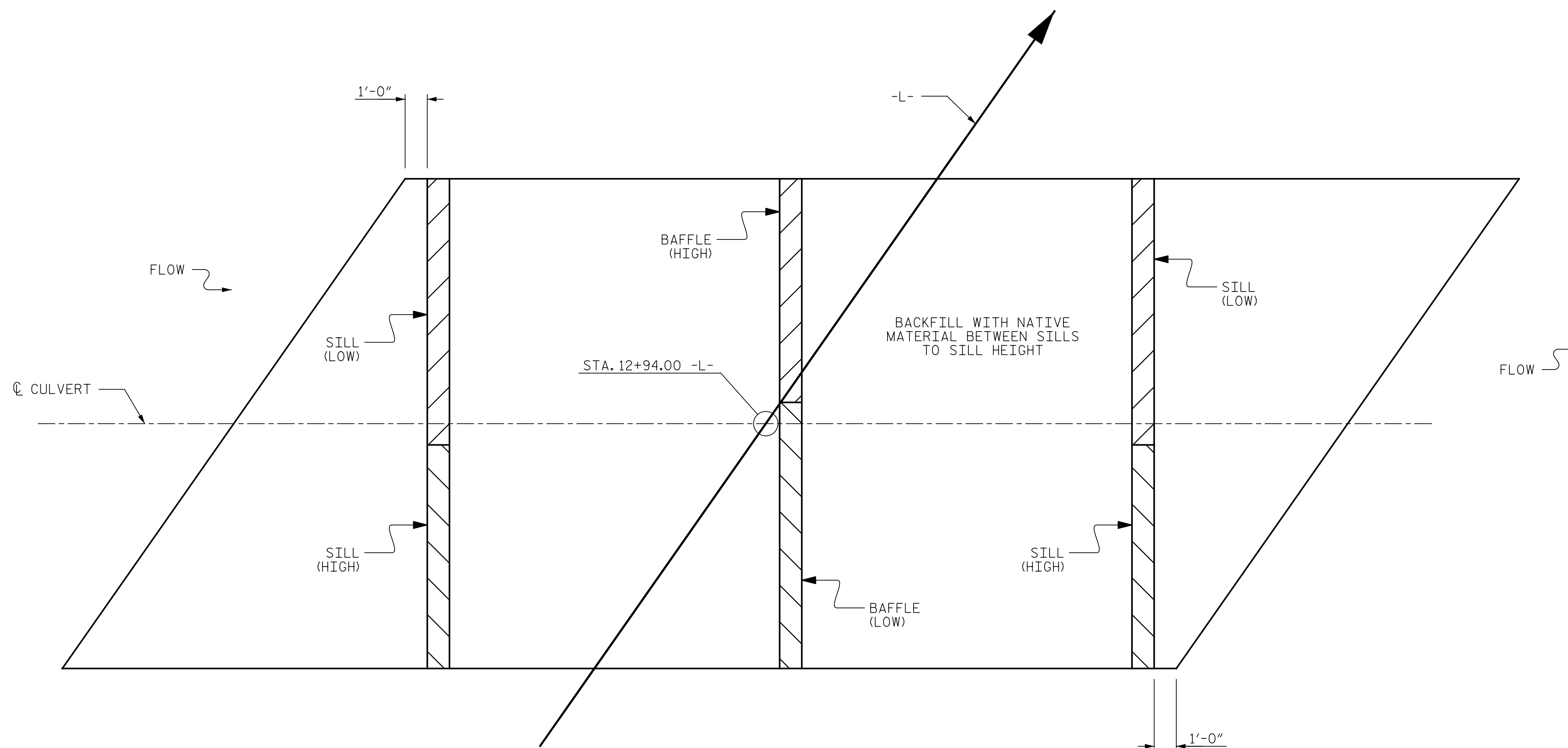
TOP OF LOW FLOW BAFFLE/SILLS SHOULD MATCH STREAM BED ELEVATION IN LOW FLOW CHANNEL OF STREAM.

DO NOT SET ELEVATION OF HIGH BAFFLE/SILLS ABOVE BANK FULL.

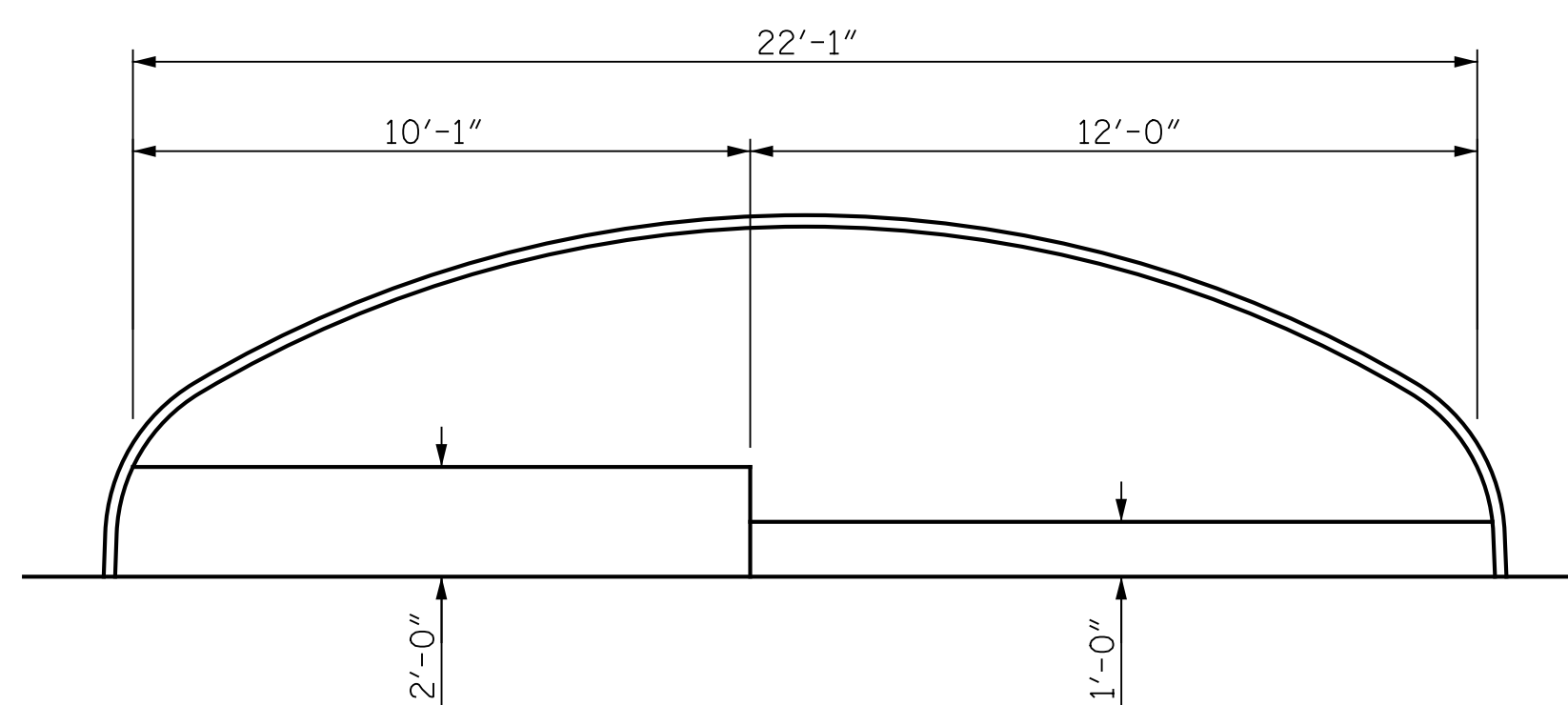
NUMBER OF BAFFLE/SILLS DETERMINED BY THE ENGINEER.

PLACEMENT OF BACKFILL MATERIAL SHALL BE INCLUDED IN THE LUMP SUM PAYMENT FOR "CULVERT EXCAVATION". WHERE THERE IS NOT AN ADEQUATE QUANTITY OF SUITABLE BACKFILL MATERIAL AVAILABLE FROM CULVERT EXCAVATION, USE CHANNEL SUBSTRATE MATERIAL. FOR CHANNEL SUBSTRATE MATERIAL, SEE SPECIAL PROVISIONS.

FOR HIGH FLOW CHANNEL - PLACEMENT OF NATURAL STREAM BED MATERIAL, SEE SPECIAL PROVISIONS.



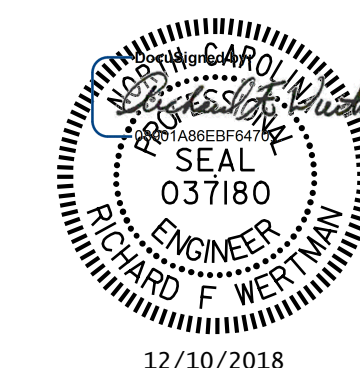
FLOOR SILL/BAFFLE LAYOUT



FLOOR SILL/BAFFLE DETAIL

PROJECT NO. 17BP.14.R.116
 POLK COUNTY
 STATION: 12+94.00 -L-

SHEET 5 OF 5



STATE OF NORTH CAROLINA
 DEPARTMENT OF TRANSPORTATION
 RALEIGH

22'-1" X 6'-6"
 ALUMINUM
 BOX CULVERT
 55° SKEW

DRAWN BY : T.J. KIRSCHBAUM DATE : 04/03/15
 CHECKED BY : R.F. WERTMAN DATE : 05/19/15
 DESIGN ENGINEER OF RECORD : R.F. WERTMAN DATE : 05/19/15

PLANS PREPARED BY:
Gannett Fleming
 Excellence Delivered As Promised
 2610 Wycliff Road
 Suite 102
 Raleigh, NC 27607-3073
 (919) 420-7660
 NC Lic. No. F-0270

DOCUMENT NOT CONSIDERED
 FINAL UNLESS ALL
 SIGNATURES COMPLETED

REVISIONS						SHEET NO.
NO.	BY:	DATE:	NO.	BY:	DATE:	C-5
1			3			TOTAL SHEETS
2			4			5

STANDARD NOTES

DESIGN DATA:

SPECIFICATIONS - - - - -	A.A.S.H.T.O. (CURRENT)
LIVE LOAD - - - - -	SEE PLANS
IMPACT ALLOWANCE - - - - -	SEE A.A.S.H.T.O.
STRESS IN EXTREME FIBER OF STRUCTURAL STEEL - AASHTO M270 GRADE 36 - -	20,000 LBS. PER SQ. IN.
- AASHTO M270 GRADE 50W - -	27,000 LBS. PER SQ. IN.
- AASHTO M270 GRADE 50 - -	27,000 LBS. PER SQ. IN.
REINFORCING STEEL IN TENSION - GRADE 60 - - -	24,000 LBS. PER SQ. IN.
CONCRETE IN COMPRESSION - - - - -	1,200 LBS. PER SQ. IN.
CONCRETE IN SHEAR - - - - -	SEE A.A.S.H.T.O.
STRUCTURAL TIMBER - TREATED OR UNTREATED EXTREME FIBER STRESS - - -	1,800 LBS. PER SQ. IN.
COMPRESSION PERPENDICULAR TO GRAIN OF TIMBER - - - - -	375 LBS. PER SQ. IN.
EQUIVALENT FLUID PRESSURE OF EARTH - - - - -	30 LBS. PER CU. FT. (MINIMUM)

MATERIAL AND WORKMANSHIP:

EXCEPT AS MAY OTHERWISE BE SPECIFIED ON PLANS OR IN THE SPECIAL PROVISIONS, ALL MATERIAL AND WORKMANSHIP SHALL BE IN ACCORDANCE WITH THE 2018 "STANDARD SPECIFICATIONS FOR ROADS AND STRUCTURES" OF THE N. C. DEPARTMENT OF TRANSPORTATION.

STEEL SHEET PILING FOR PERMANENT OR TEMPORARY APPLICATIONS SHALL BE HOT ROLLED.

CONCRETE:

UNLESS OTHERWISE REQUIRED ON PLANS, CLASS A CONCRETE SHALL BE USED FOR ALL PORTIONS OF ALL STRUCTURES WITH THE EXCEPTION THAT: CLASS AA CONCRETE SHALL BE USED IN BRIDGE SUPERSTRUCTURES, ABUTMENT BACKWALLS, AND APPROACH SLABS; AND CLASS B CONCRETE SHALL BE USED FOR SLOPE PROTECTION AND RIP RAP.

CONCRETE CHAMFERS:

UNLESS OTHERWISE NOTED ON THE PLANS, ALL EXPOSED CORNERS ON STRUCTURES SHALL BE CHAMFERED $\frac{3}{4}$ " WITH THE FOLLOWING EXCEPTIONS: TOP CORNERS OF CURBS MAY BE ROUNDED TO $1\frac{1}{2}$ " RADIUS WHICH IS BUILT INTO CURB FORMS; CORNERS OF TRANSVERSE FLOOR EXPANSION JOINTS SHALL BE ROUNDED WITH A $\frac{1}{4}$ " FINISHING TOOL UNLESS OTHERWISE REQUIRED ON PLANS; AND CORNERS OF EXPANSION JOINTS IN THE ROADWAY FACES AND TOPS OF CURBS AND SIDEWALKS SHALL BE ROUNDED TO A $\frac{1}{4}$ " RADIUS WITH A FINISHING STONE OR TOOL UNLESS OTHERWISE REQUIRED ON PLANS.

DOWELS:

DOWELS WHEN INDICATED ON PLANS AS FOR CULVERT EXTENSIONS, SHALL BE EMBEDDED AT LEAST 12" INTO THE OLD CONCRETE AND GROUTED INTO PLACE WITH 1:2 CEMENT MORTAR.

ALLOWANCE FOR DEAD LOAD DEFLECTION, SETTLEMENT, ETC. IN CASTING SUPERSTRUCTURES:

BRIDGES SHALL BE BUILT ON THE GRADE OR VERTICAL CURVE SHOWN ON PLANS. SLABS, CURBS AND PARAPETS SHALL CONFORM TO THE GRADE OR CURVE.

ALL DIMENSIONS WHICH ARE GIVEN IN SECTION AND ARE AFFECTED BY DEAD LOAD DEFLECTIONS ARE DIMENSIONS AT CENTER LINE OF BEARING UNLESS OTHERWISE NOTED ON PLANS. IN SETTING FORMS FOR STEEL BEAM BRIDGES AND PRESTRESSED CONCRETE GIRDER BRIDGES, ADJUSTMENTS SHALL BE MADE DUE TO THE DEAD LOAD DEFLECTIONS FOR THE ELEVATIONS SHOWN. WHERE BLOCKS ARE SHOWN OVER BEAMS FOR BUILDING UP TO THE SLAB, THE VERTICAL DIMENSIONS OF THE BLOCKS SHALL BE ADJUSTED BETWEEN BEARINGS TO COMPENSATE FOR DEAD LOAD DEFLECTIONS, VERTICAL CURVE ORDINATE, AND ACTUAL BEAM CAMBER. WHERE BOTTOM OF SLAB IS IN LINE WITH BOTTOM OF TOP FLANGES, DEPTH OF SLAB BETWEEN BEARINGS SHALL BE ADJUSTED TO COMPENSATE FOR DEAD LOAD DEFLECTION, VERTICAL CURVE ORDINATE, AND ACTUAL BEAM CAMBER.

IN SETTING FALSEWORK AND FORMS FOR REINFORCED CONCRETE SPANS, AN ALLOWANCE SHALL BE MADE FOR DEAD LOAD DEFLECTIONS, SETTLEMENT OF FALSEWORK, AND PERMANENT CAMBER WHICH SHALL BE PROVIDED FOR IN ADDITION TO THE ELEVATIONS SHOWN. AFTER REMOVAL OF THE FALSEWORK, THE FINISHED STRUCTURES SHALL CONFORM TO THE PROFILE AND ELEVATIONS SHOWN ON THE PLANS AND CONSTRUCTION ELEVATIONS FURNISHED BY THE ENGINEER.

DETAILED DRAWINGS FOR FALSEWORK OR FORMS FOR BRIDGE SUPERSTRUCTURE AND ANY STRUCTURE OR PARTS OF A STRUCTURE AS NOTED ON THE PLANS SHALL BE SUBMITTED TO THE ENGINEER FOR APPROVAL BEFORE CONSTRUCTION OF THE FALSEWORK OR FORMS IS STARTED.

REINFORCING STEEL:

ALL REINFORCING STEEL SHALL BE DEFORMED. DIMENSIONS RELATIVE TO PLACEMENT OF REINFORCING ARE TO CENTERS OF BARS UNLESS OTHERWISE INDICATED IN THE PLANS. DIMENSIONS ON BAR DETAILS ARE TO CENTERS OF BARS OR ARE OUT TO OUT AS INDICATED ON PLANS.

WIRE BAR SUPPORTS SHALL BE PROVIDED FOR REINFORCING STEEL WHERE INDICATED ON THE PLANS. WHEN BAR SUPPORT PIECES ARE PLACED IN CONTINUOUS LINES, THEY SHALL BE SO PLACED THAT THE ENDS OF THE SUPPORTING WIRES SHALL BE LAPPED TO LOCK LEGS ON ADJOINING PIECES.

STRUCTURAL STEEL:

AT THE CONTRACTOR'S OPTION, HE MAY SUBSTITUTE $\frac{7}{8}$ " Ø SHEAR STUDS FOR THE $\frac{3}{4}$ " Ø STUDS SPECIFIED ON THE PLANS. THIS SUBSTITUTION SHALL BE MADE AT THE RATE OF 3 - $\frac{7}{8}$ " Ø STUDS FOR 4 - $\frac{3}{4}$ " Ø STUDS, AND STUD SPACING CHANGES SHALL BE MADE AS NECESSARY TO PROVIDE THE SAME EQUIVALENT NUMBER OF $\frac{7}{8}$ " Ø STUDS ALONG THE BEAM AS SHOWN FOR $\frac{3}{4}$ " Ø STUDS BASED ON THE RATIO OF 3 - $\frac{7}{8}$ " Ø STUDS FOR 4 - $\frac{3}{4}$ " Ø STUDS. STUDS OF THE LENGTH SPECIFIED ON THE PLANS MUST BE PROVIDED. THE MAXIMUM SPACING SHALL BE 2'-0".

EXCEPT AT THE INTERIOR SUPPORTS OF CONTINUOUS BEAMS WHERE THE COVER PLATE IS IN CONTACT WITH BEARING PLATE, THE CONTRACTOR MAY, AT HIS OPTION, SUBSTITUTE FOR THE COVER PLATES DESIGNATED ON THE PLANS COVER PLATES OF THE EQUIVALENT AREA PROVIDED THESE PLATES ARE AT LEAST $\frac{5}{16}$ " IN THICKNESS AND DO NOT EXCEED A WIDTH EQUAL TO THE FLANGE WIDTH LESS 2" OR A THICKNESS EQUAL TO 2 TIMES THE FLANGE THICKNESS. THE SIZE OF FILLET WELDS SHALL CONFORM TO THE REQUIREMENTS OF THE CURRENT ANSI/AASHTO/AWS "BRIDGE WELDING CODE". ELECTROSLAG WELDING WILL NOT BE PERMITTED.

WITH THE SOLE EXCEPTION OF EDGES AT SURFACES WHICH BEAR ON OTHER SURFACES, ALL SHARP EDGES AND ENDS OF SHAPES AND PLATES SHALL BE SLIGHTLY ROUNDED BY SUITABLE MEANS TO A RADIUS OF APPROXIMATELY $\frac{1}{16}$ " INCH OR EQUIVALENT FLAT SURFACE AT A SUITABLE ANGLE PRIOR TO PAINTING, GALVANIZING, OR METALLIZING.

HANDRAILS AND POSTS:

METAL STANDARDS AND FACES OF THE CONCRETE END POSTS FOR THE METAL RAIL SHALL BE SET NORMAL TO THE GRADE OF THE CURB, UNLESS OTHERWISE SHOWN ON PLANS. THE METAL RAIL AND TOPS OF CONCRETE POSTS USED WITH THE ALUMINUM RAIL SHALL BE BUILT PARALLEL TO THE GRADE OF THE CURB.

METAL HANDRAILS SHALL BE IN ACCORDANCE WITH THE PLANS. RAILS SHALL BE AS MANUFACTURED FOR BRIDGE RAILING. CASTINGS SHALL BE OF A UNIFORM APPEARANCE. FINIS AND OTHER DEFORMATIONS RESULTING FROM CASTING OR OTHERWISE SHALL BE REMOVED IN A MANNER SO THAT A UNIFORM COLORING OF THE COMPLETED CASTING SHALL BE OBTAINED. CASTINGS WITH DISCOLORATIONS OR OF NON-UNIFORM COLORING WILL NOT BE ACCEPTED. CERTIFIED MILL REPORTS ARE REQUIRED FOR METAL RAILS AND POSTS.

SPECIAL NOTES:

GENERALLY, IN CASE OF DISCREPANCY, THIS STANDARD SHEET OF NOTES SHALL GOVERN OVER THE SPECIFICATIONS, BUT THE REMAINDER OF THE PLANS SHALL GOVERN OVER NOTES HEREON, AND SPECIAL PROVISIONS SHALL GOVERN OVER ALL. SEE SPECIFICATIONS ARTICLE 105-4.

DocuSigned by:
Richard F. Vinton
0001A8BC9FA10...

11/12/2018 12:07:31 PM PST

ENGLISH

JANUARY, 1990

STD. NO. SN